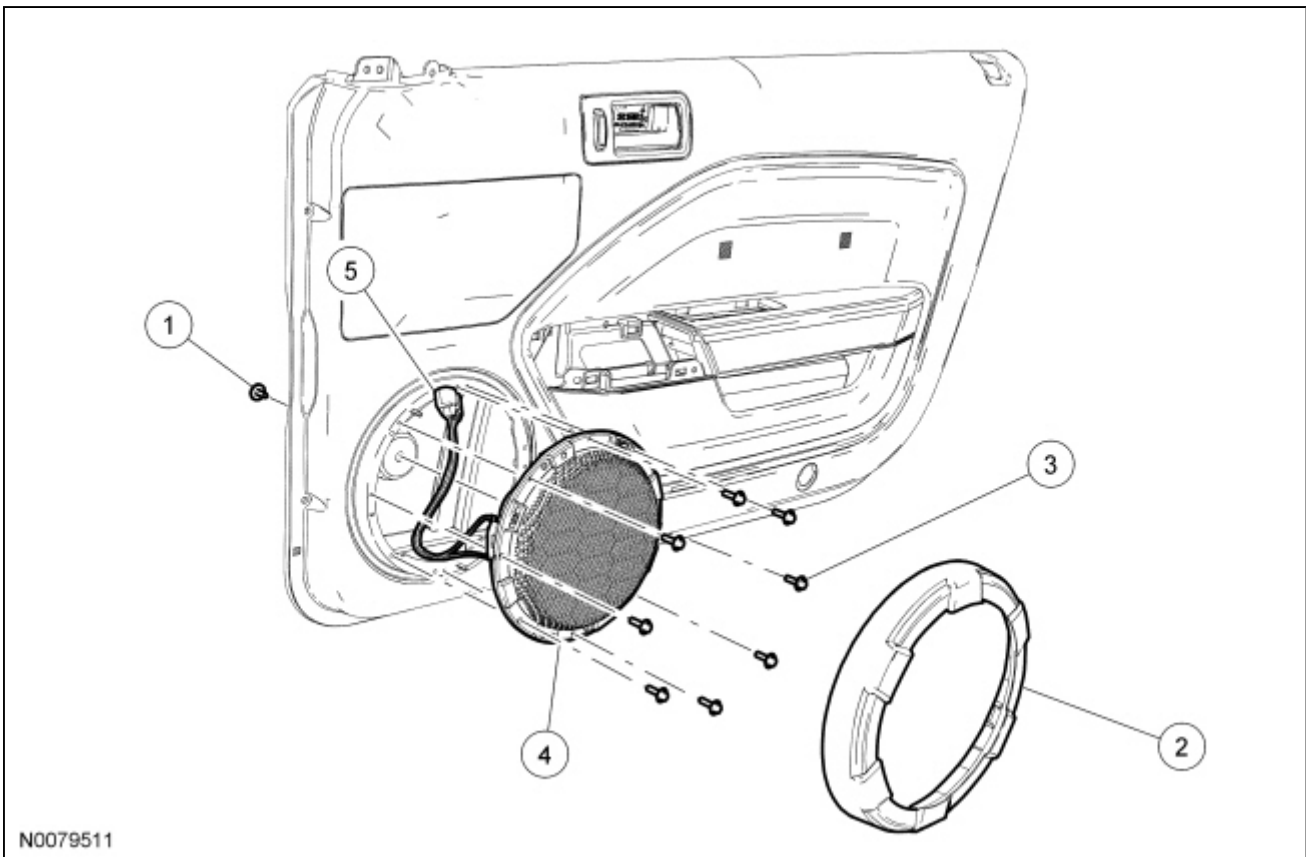


## Subwoofer Speaker



| Item | Part Number | Description  |
|------|-------------|--|
| 1    | W707281     | Door subwoofer speaker bolt  |
| 2    | 18978       | Door subwoofer speaker grille trim                                 |
| 3    | N606674     | Door subwoofer speaker screws (8 required)                         |
| 4    | 18808       | Door subwoofer speaker   |
| 5    | —           | Door subwoofer speaker electrical connector (part of door harness) |

### Removal and Installation

1. Remove the door trim panel. For additional information, refer to [Section 501-05](#).
2. Remove the door subwoofer speaker grille trim.
3. Remove the door subwoofer speaker bolt.
4. Remove the 8 screws and the door subwoofer speaker.
  - Push the wiring harness grommet through the door trim panel.
  - Disconnect the electrical connector.
5. To install, reverse the removal procedure.

